



Floor Plate PP series

The floor plate is designed for installation in the lower part of the cabinet, between the body and the ground-mounted plinth, to protect the interior from moisture.



visualization of the floor plate

features:

- the floor plate compatible with the SZW, SZWM, SZWD, and SZWDK series cabinets,
- designed for installation in the lower part of the cabinet, between the body and the ground-mounted plinth,
- protecting the interior from moisture,
- Magnelis® sheet is the only metallic coating certified for use in a C5 environment, which provides durability and protection against corrosion.

standards and certificates:

- flammability class V0 acc. UL 94,
- PN-EN 62262 - impact protection degree IK 10,
- REACH Regulation No 1907/2006/EC,
- RoHS 2011/65/UE.

*The manufacturer reserves the right to make modifications and improvements to the product.
Therefore, the products shown in the illustrations and photographs may differ slightly from the actual state.*



Floor Plate PP series

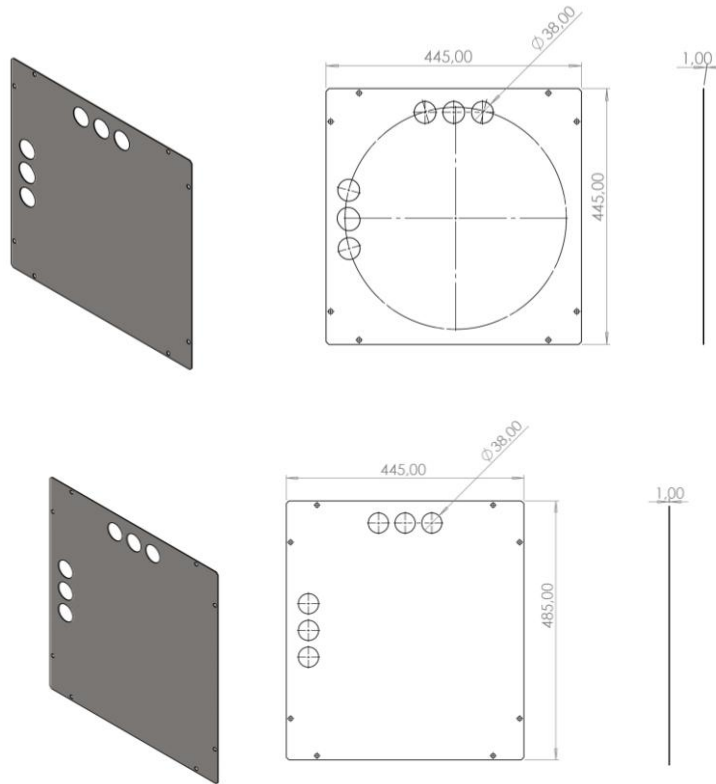
technical specifications:

PP	SZW	SZM	SZWD
dimensions [width x depth][mm]	445 x 445		445 x 485
rack unit height [U]	1		
type of cable entry	breakable cable slot / hole cap		
diameter of cable entry [mm]	6x (ø 38mm)		
temperature resistance [°C]	from -40 to +70		
impact protection degree IK	IK 10		
flammability class	V0 acc. UL 94		
weight [kg]	~1.5		~1.6
material	Magnelis® sheet		



Floor Plate PP series

technical drawings:



order information:

CODE	DESCRIPTION
PP-SZW-445/445	Floor plate PP-SZW-445/445-R7035, 445x445mm (WxD), Magnelis®
PP-SZW-445/485	Floor plate PP-SZW-445/485-R7035, 445x485mm (WxD), Magnelis®